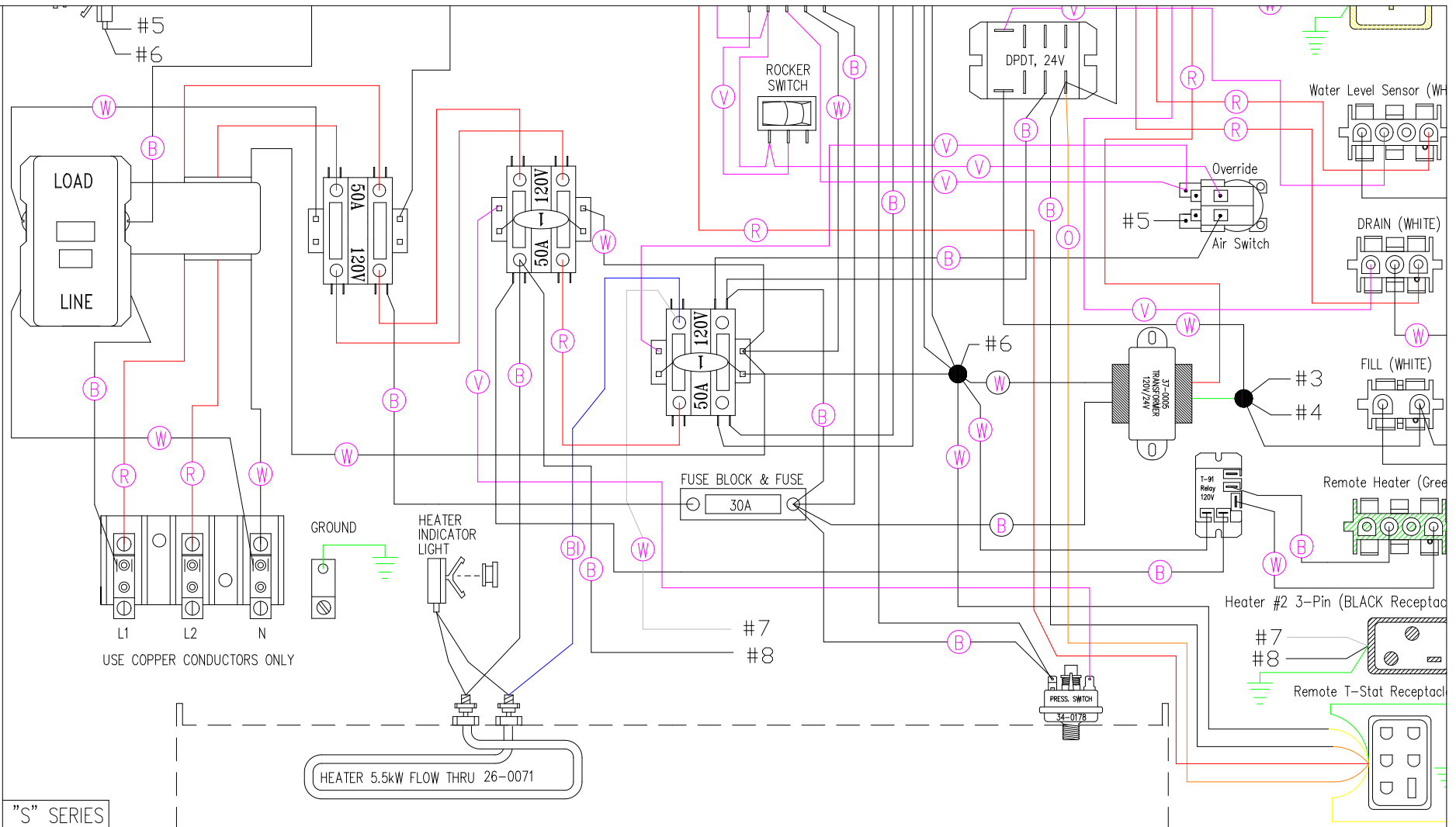


"S" SERIES

Manufacture Notes:

HEATER 5.5kW FLOW THRU 26-0071

Drawn	MBS	Rev	04	Wire Color Code	
Date	10.11.10			B - Black	G - Green
Diagram No.	8208			Br - Brown	BI - Blue
				R - Red	V - Violet
				O - Orange	W - White
				Y - Yellow	Gr - Gray

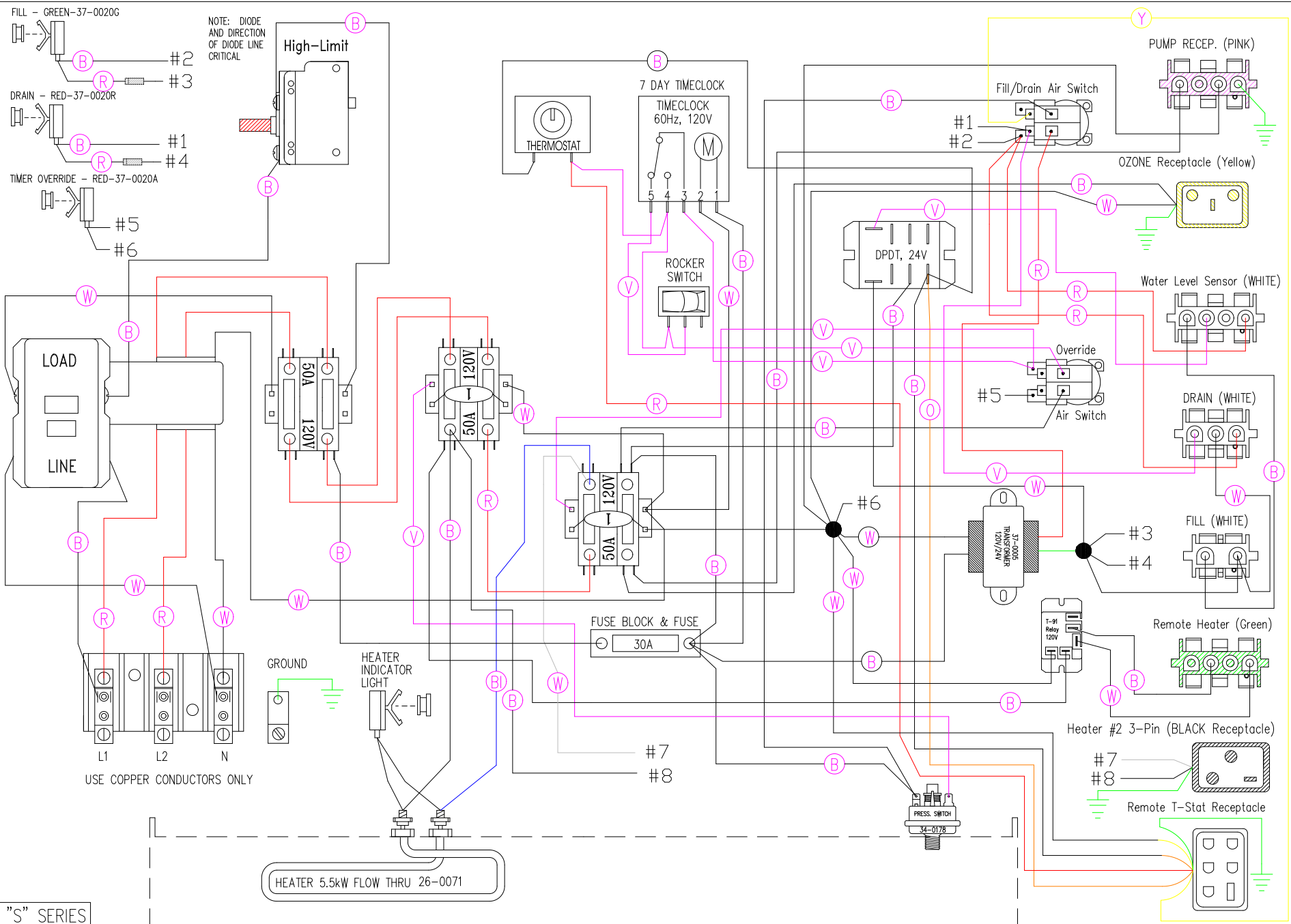


"S" SERIES

Manufacture Notes:

HEATER 5.5kW FLOW THRU 26-0071

Drawn	MBS	Rev	04	Wire Color Code B - Black      G - Green Br - Brown    Bl - Blue R - Red        V - Yellow O - Orange    W - White Y - Yellow     Gr - Grey
Date	10.11.10			
Diagram No.	8208			



NOTE: DIODE AND DIRECTION OF DIODE LINE CRITICAL

FILL - GREEN-37-0020G  
 DRAIN - RED-37-0020R  
 TIMER OVERRIDE - RED-37-0020A

LOAD  
 LINE

USE COPPER CONDUCTORS ONLY

HEATER 5.5kW FLOW THRU 26-0071

"S" SERIES

Manufacture Notes:

Drawn MBS	Rev 04	Wire Color Code B - Black    G - Green Br - Brown    Bl - Blue R - Red    V - Violet O - Orange    W - White Y - Yellow    Gr - Gray
Date 10.11.10		
Diagram No. 8208		